

# QBF-1330-1430-45

1.33~1.43GHz

**Features:**

- \* High Stopband Rejection
- \* Small Size

**Applications:**

- \* Telecom
- \* Laboratory Test
- \* Receivers
- \* Instrumentation

**Electrical**

Frequency:	1.33~1.43GHz
Passband Insertion Loss:	0.5dB max.
Passband Ripple:	0.1dB max.
VSWR:	1.25 max.
Stopband Attenuation:	45dB@DC~1080MHz min. 45dB@1680~4500MHz min.
Impedance:	50Ω
Average Power:	10W max.

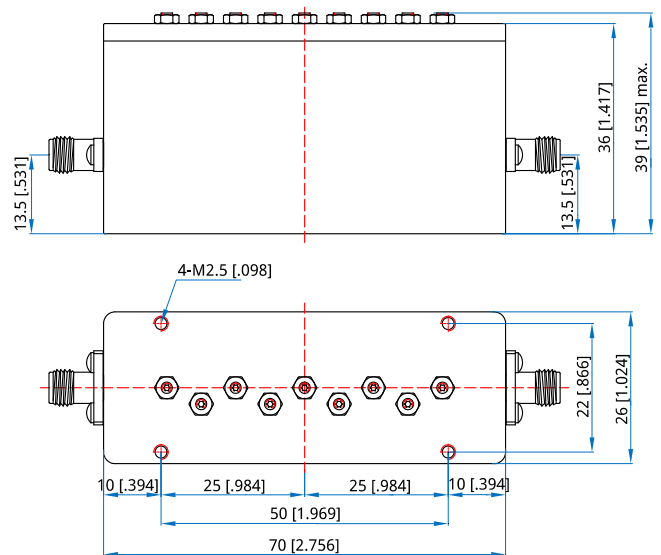
**Mechanical**

Size <sup>*1</sup> :	70*26*36mm 2.756*1.024*1.417in
Weight:	0.11Kg
RF Connectors:	SMA Female
Mounting:	4-M2.5 through-hole

[1] Exclude connectors.

**Environmental**

Operating Temperature:	-30~+70°C
------------------------	-----------



Unit: mm [in]

Tolerance: ±0.2mm [±0.008in]

**How To Order**

**QBF-1330-1430-45**

Customization is available upon request.

**Outline Drawings**